

SR27

Semi-automatic sealer
for large random box sizes



SEMI-AUTOMATIC CASE SEALER

100%
MADE in ITALY

SR27

The SR27 is a new semi-automatic case sealing machine designed and engineered by SIAT specifically for large random sized boxes.

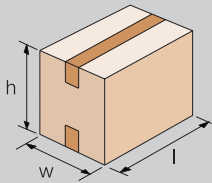
SR27 is the ideal case sealing machine for a variety of industries like E-commerce, Logistics, Electronics and Tissue.

SPECIFICATIONS

Max Production Capacity: 650 boxes/hour

Case type: RSC - HSC - FEFCO 0201

Max case weight: 32 kg



Box dimensions	L (mm)	W (mm)	H (mm)
MIN	150	170	120
MAX	∞	650	670

KEY FEATURES

- » Seals upper & lower flaps of cardboard cases or cartons
- » 5 lateral and upper guide wheels on the top assembly
- » Re-designed centering device to eliminate 'pinch points'
- » Lockable electric & pneumatic isolation switches
- » Lockable pneumatic regulator
- » Emergency stop on both sides of machine
- » Best-In-Class components with FESTO pneumatics and SIEMENS electrics
- » Re-designed columns & upper frame to maximise strength and resist vibration
- » Top taping head removable without removing protective cover
- » Quick release Taping Heads (Top & Bottom – No tools required)

SR27 - ES

Energy saving version - motors and conveyors stop after a defined time when no cartons are detected



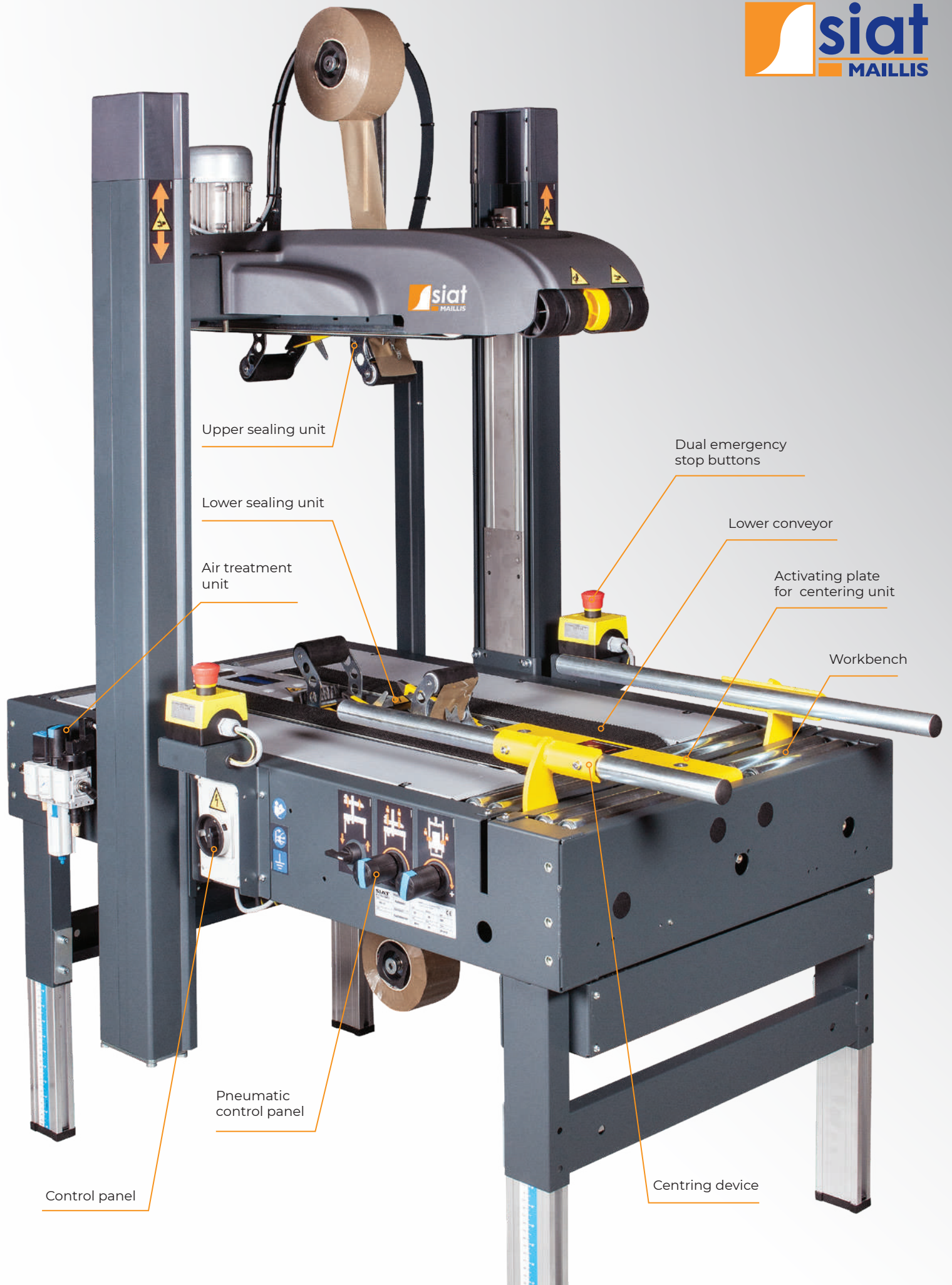
MAXIMUM FOCUS ON SAFETY:

- Re-designed centering device to eliminate "pinch points"
- Emergency stop on both machine sides
- Lockable electric and pneumatic isolation switches
- Motor cable connection incorporating a strong & flexible spring steel design



Fast Tape Head changeover - easy and toolless!

Aluminium Telescopic legs, easy and fast to adjust.



Upper sealing unit

Lower sealing unit

Air treatment unit

Dual emergency stop buttons

Lower conveyor

Activating plate for centering unit

Workbench

Pneumatic control panel

Control panel

Centring device

SR27

Machine dimensions

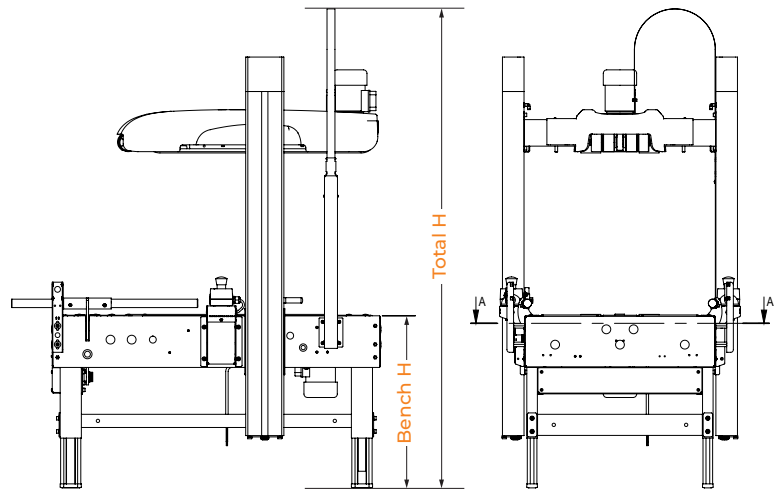
Dimensioni macchina
Maschinenabmessungen
Dimensions machine
Dimensiones de máquina

	Min (mm)	Max (mm)
Total H	1461	1802
H Bench	485	825
W	910	910
W Bench	720	720
L	1396	1396

 **180**

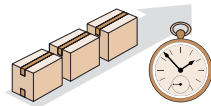
 **225**

 **132(L) x107(w) x155(H) cm**

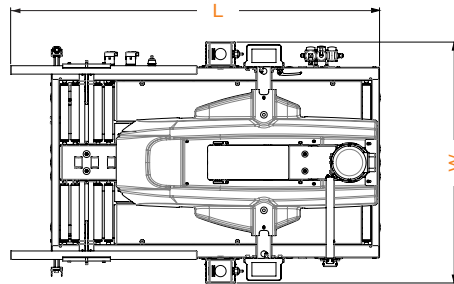


Max. production capacity

Capacità di produzione
Produktionskapazität
Capacité de production
Capacidad de producción

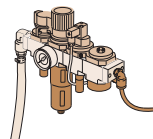


up to 650 Bph



Air consumption

Consumo aria
Druckluftverbrauch
Consommation air comprimé
Consumo de arie



9 Litres per Cycle

Standard power supply

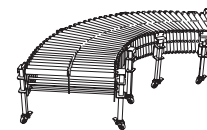
Alimentazione standard
Standard-Stromanschluß
Alimentation électrique standard
Fuente de alimentación estándar

380/400V - 50Hz - 3ph	
440V - 60Hz - 3ph	
Amps	1,08
Power kW	0,26
Phase	3Ph + N + PE

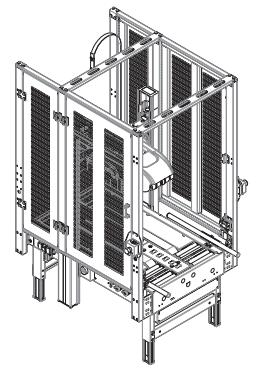
Optional Extras

Accessori
Zubehör
Accessories
Accesorios

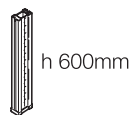
GTL - GTR



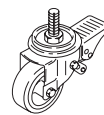
SAFETY FENCES



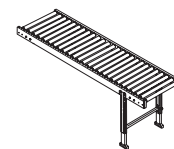
AS80



AS77



RG



SIAT Spa

Via Puecher 22, 22078 Turate - Como
www.siat.com

 100%
MADE in ITALY

SIAT AND MAILLIS GROUP

SIAT is the famous Italian Brand of strapping hand tools, semi-auto wrappers and case handling machines and proudly part of Maillis Group. Operating 5 production units around the

world and employing over 1,200 qualified staff, Maillis provides you with reliable system solutions incorporating machines, consumables and services to face your everyday challenges across different industries.

SIAT S.p.A is recognised worldwide as a top-class machine manufacturer for secondary packaging and produces more than 17,000 machines per year, and has done since 1970. Our product range includes semi-automatic as well as fully automatic machines like Case Sealers and Case Erectors, Stretch Wrappers, Strapping Tools / Machines, Flexographic Printing Machines and Tape Dispensers. The company is present in more than 100 countries and is constantly investing worldwide to meet customers actual and future demands.